

CM Cam Locks

Fixed core

Features

- Stainless steel scalp on housing and lock core on non-shuttered style
- Sealed version meets NEMA 4 and IP65 water intrusion standards
- Cams sold separately

Product Performance

- Average ultimate load on cam: 180 N

Material

- Housing: Zinc alloy, chrome plated or black powder coated
- Scalp: stainless steel

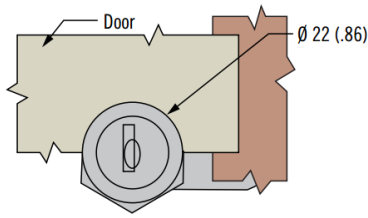
Notes

- Lock: Key code CH751, keyed alike, key removal in locked and unlocked positions (two keys supplied)
- CM-2-1 version is sealed but does not meet the NEMA 4 / IP65 standards



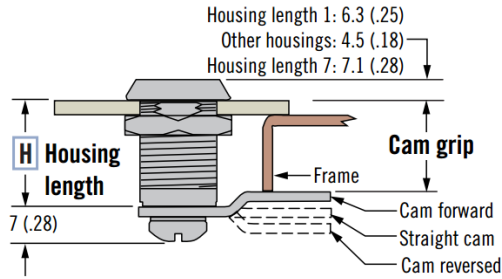
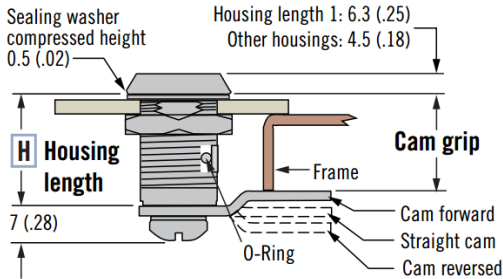
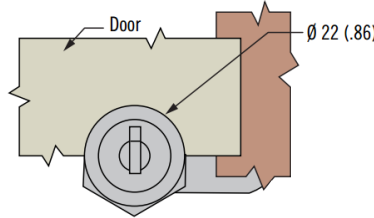
Sealed Disc Tumbler

Pictured with Lockcore Installed



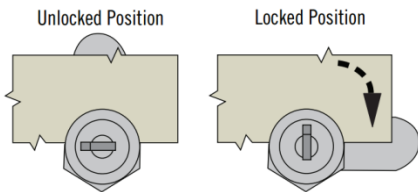
Non-Sealed Disc Tumbler

Pictured with Lockcore Installed

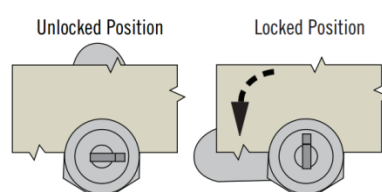


Cam Rotation

R 01 (Clockwise to Lock)



R 09 (Counter-Clockwise to Lock)



Sealed Version

CM - 2 - H F 1 R - 2SB

- F** Finish
- B** Black powder coated
- C** Chrome plated

Max. Door Thickness	Housing Length	H Housing Length Number
2.4 (.09)	11 (.438)	7 Non-Sealed Only
7.1 (.28)	16 (.625)	1
13.5 (.53)	22 (.875)	2
19.8 (.78)	28.5 (1.125)	6
26.2 (1.03)	35 (1.375)	3
32.5 (1.28)	41 (1.625)	4
38.9 (1.53)	48 (1.875)	5

- R** Rotation
- 01** Clockwise
- 09** Counter-clockwise

Non-sealed version

CM - 5 - H S4 R - 2TB

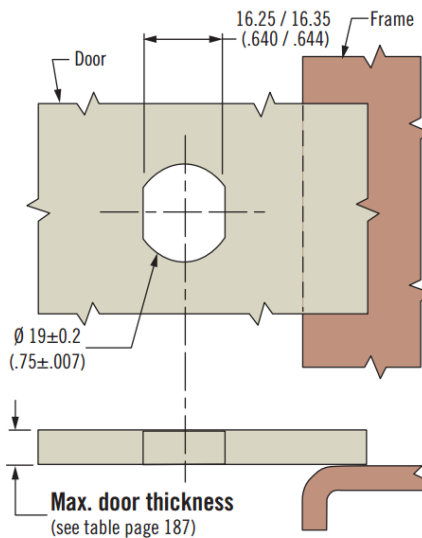
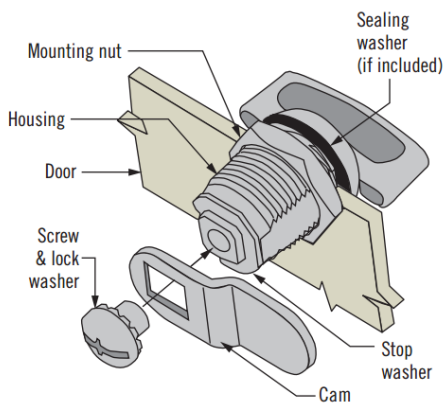
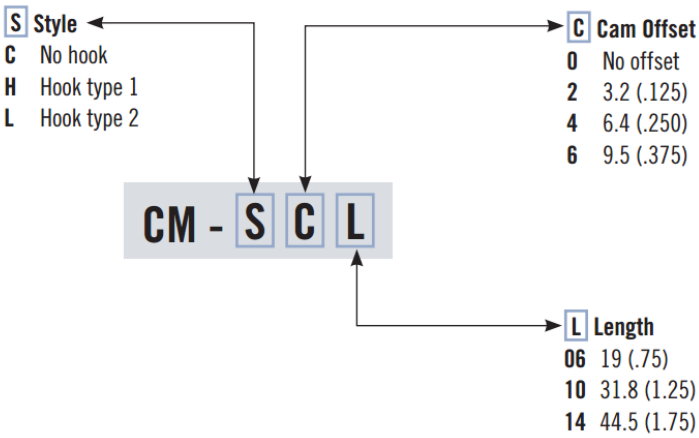
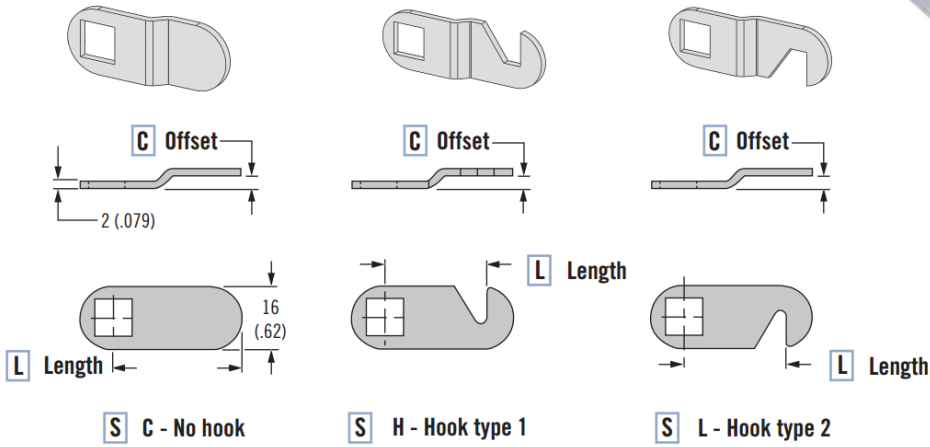
(Stainless steel scalp)

southco®

We are proud to be Southco's authorized distributor of over 20 years

CM Cam Locks

Cams & installation



Installation Notes

1. Place sealing washer onto housing (if included) and put through the mounting hole (see panel preparation)
2. Install mounting nut and tighten to 5 N.m
3. Install cam to assembly
4. Properly orientate for rotation and grip
5. Install screw. Tighten to 4 N.m

We are proud to be Southco's authorized distributor of over 20 years

southco®

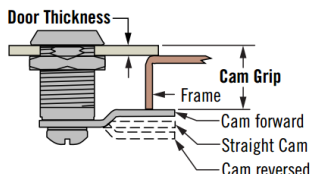
CM Cam Locks

Selection



Cam Lock Selection Guide

1. Once you have determined the **CM Cam Lock** version that best meets your needs, calculate the **Cam Grip** for your application using the illustration below.



Notes: add 0.5 (.02) to your grip when using a sealed product.

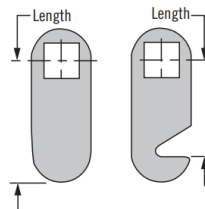
2. In the **TAN** section below, locate the **Cam Grip** calculated for your application. If your grip falls between two values, use the higher value.

Notes: Certain grip values repeat in the table below. Use the value that results in the shortest housing possible based on the **Max. Door Thickness** allowed.

3. From this value, move right horizontally into the **GRAY** section and verify your door thickness falls within the **Max. Door Thickness** listed. Once this is verified, the housing length is selected and is illustrated by the **Housing Length Number**.

4. Returning to your original grip value in the **TAN** section, move down vertically into the **GREEN** section. The **GREEN** section illustrates the cams that are appropriate for your grip.

5. By determining the required cam orientation and length in the **BLUE** section, the appropriate **Cam Part Number** for your application is selected.



6. Proceed to the Cam Lock sections (CM-6, CM-3, CM-2, CM-5, and CM-1) to complete your **Part Number** selection.

Selection Guide

Cam Grips							Max. Door Thickness	Housing Length Number
20.7 (.81)	17.5 (.69)	14.3 (.56)	11.1 (.44)	8 (.31)	4.8 (.19)	1.6 (.06)	2.4 (.09)	7
25.4 (1.00)	22.2 (.88)	19.1 (.75)	15.9 (.63)	12.7 (.50)	9.5 (.38)	6.4 (.25)	7.1 (.28)	1
31.8 (1.25)	28.6 (1.13)	25.4 (1.00)	22.2 (.88)	19.1 (.75)	15.9 (.63)	12.7 (.50)	13.5 (.53)	2
38.1 (1.50)	34.9 (1.38)	31.8 (1.25)	28.6 (1.13)	25.4 (1.00)	22.2 (.88)	19.1 (.75)	19.8 (.78)	6
44.5 (1.75)	41.3 (1.63)	38.1 (1.50)	34.9 (1.38)	31.8 (1.25)	28.6 (1.13)	25.4 (1.00)	26.2 (1.03)	3
50.8 (2.00)	47.6 (1.88)	44.5 (1.75)	41.3 (1.63)	38.1 (1.50)	34.9 (1.38)	31.8 (1.25)	32.5 (1.28)	4
57.2 (2.25)	54 (2.13)	50.8 (2.00)	47.6 (1.88)	44.5 (1.75)	41.3 (1.63)	38.1 (1.50)	38.9 (1.53)	5
Cam Part Number							Cam Length	Cam Orientation
Cam Reversed		Straight	Cam Forward					
CM-C606	CM-C406	CM-C206	CM-C006	CM-C206	CM-C406	CM-C606	19.1 (.75)	No Hook
CM-C610	CM-C410	CM-C210	CM-C010	CM-C210	CM-C410	CM-C610	31.8 (1.25)	
CM-C614	CM-C414	CM-C214	CM-C014	CM-C214	CM-C414	CM-C614	44.5 (1.75)	
CM-L606	CM-L406	CM-L206	CM-H006	CM-H206	CM-H406	CM-H606	19.1 (.75)	Left
CM-L610	CM-L410	CM-L210	CM-H010	CM-H210	CM-H410	CM-H610	31.8 (1.25)	
CM-L614	CM-L414	CM-L214	CM-H014	CM-H214	CM-H414	CM-H614	44.5 (1.75)	
CM-H606	CM-H406	CM-H206	CM-H006	CM-L206	CM-L406	CM-L606	19.1 (.75)	Right
CM-H610	CM-H410	CM-H210	CM-H010	CM-L210	CM-L410	CM-L610	31.8 (1.25)	
CM-H614	CM-H414	CM-H214	CM-H014	CM-L214	CM-L414	CM-L614	44.5 (1.75)	

Contact Gripwell for more information and assistance

CM / PT Cam Locks

Accessories · Keys · Spares



Accessories (Add adjustment value to door thickness when accessory is used)

Metal Dust Cover



Metal Pull Tab



Plastic Dust Cover



Trim Washer



Pull Tab - In-Line



Prong Washer



Pull Tab - Perpendicular



Sealing Washer



Overmolded Key



Plain Key



Item	Part Number	Material	Adjustment Value	Suitable for		
				CM	Mini CM	PT
Metal dust cover	CM-A-10-01	Zinc alloy, chrome plated and stainless steel	0.7 (.027)	✓		✓
Plastic dust cover	90-2	Santoprene, black	2.1 (.085)	✓		✓
Pull tab - In-line	CM-A-08-01	Nylon, black	2.1 (.085)	✓		✓
Pull tab - Perpendicular	CM-A-08-02	Nylon, black	2.1 (.085)	✓		✓
Metal pull tab	CM-A-09	Stainless steel	1.5 (.059)	✓		✓
Trim washer	CM-A-07-N	Steel, nickel plated	0.8 (.031)	✓		✓
Prong washer	CM-A-04	Steel, plated	0.9 (.035)	✓		✓
Sealing washer	CM-A-03	Rubber, black	1.0 (.039)	✓		✓

Keys

Item	Part Number	Suitable for		
		CM	Mini CM	PT
Plain key CH751 pair	PK-10-01	✓		
Overmolded key CH751 pair	PK-10-01-05	✓		
Overmolded key CH751 single	PK-10-10-05	✓		
Control (removal) key single	PK-11-03	✓		
Master key single	PK-24-01	✓		
Plain key M01 pair	PK-10-01-M01		✓	
Tubular key T0001 pair	PK-60-01-T0001			✓

Replacement Parts

Item	Part Number	Material	Suitable for		
			CM	Mini CM	PT
Housing mounting nut	CM-A-01	Zinc alloy	✓		
Housing mounting nut	PT-A-04-01				✓
Housing mounting nut	CM-B-01			✓	
Housing mounting clip	CM-A-05	Spring steel, plated	✓		
Cam mounting screw	CM-A-02	Steel, plated	✓		
Cam mounting screw	CM-B-03			✓	
Tooth washer hex nut	CM-A-12		✓		
Lockwasher	PT-A-09				✓
Cam mounting nut	PT-A-05-01				✓